

Silt and/or Super silt fence (SF) As-built Certification Sheet

Silt/super silt fence name/number: _____

Resource consent number: _____

Contributing catchment area (m ²):	_____	
Spacing between support posts (m)	_____	
Support wire installed	Y <input type="checkbox"/>	N <input type="checkbox"/>
Vertically trenched into ground (minimum of 200mm)	Y <input type="checkbox"/>	N <input type="checkbox"/>
Joins sealed	Y <input type="checkbox"/>	Y <input type="checkbox"/>
Spacing between returns (m)	Y <input type="checkbox"/>	N <input type="checkbox"/>
Length of returns (m)	_____	
Silt fence intercepting only sheet flows	Y <input type="checkbox"/>	N <input type="checkbox"/>
Chain mesh/netting backing (super silt fence)	Y <input type="checkbox"/>	N <input type="checkbox"/>
Double layer of fabric (super silt fence)	Y <input type="checkbox"/>	N <input type="checkbox"/>
Bay of Plenty Regional Council approved variations to device (please list)	_____	

Please sign below to confirm that the information in this sheet is accurate and the device identified on this sheet has been constructed in accordance with the Bay of Plenty Regional Council approved Erosion and Sediment Control Plan for the site and the "Erosion and Sediment Control Guidelines for Soil Disturbing Activities", January 2009 document or Bay of Plenty Regional Council approved variations.

Suitably qualified person (approved by Bay of Plenty Regional Council): _____

Signed and dated: _____

Please provide drawings of as-builts, which include all of the above details along with this certification sheet.

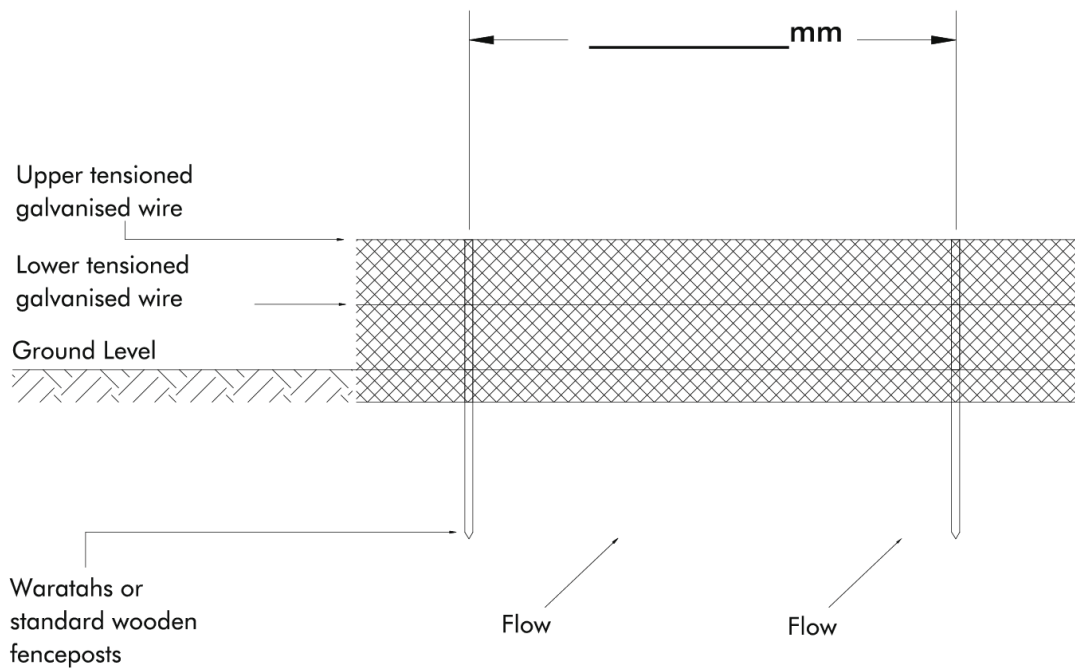
An example of a suitable silt fence/super silt fence as-built is overleaf.

Note: As-builts are not approved by the Bay of Plenty Regional Council. Responsibility for construction of the structures and accuracy of the as-builts rests with the certifying agent. This list is not exhaustive and should be used to highlight some key "Erosion and Sediment Control Guidelines for Soil Disturbing Activities" requirements.

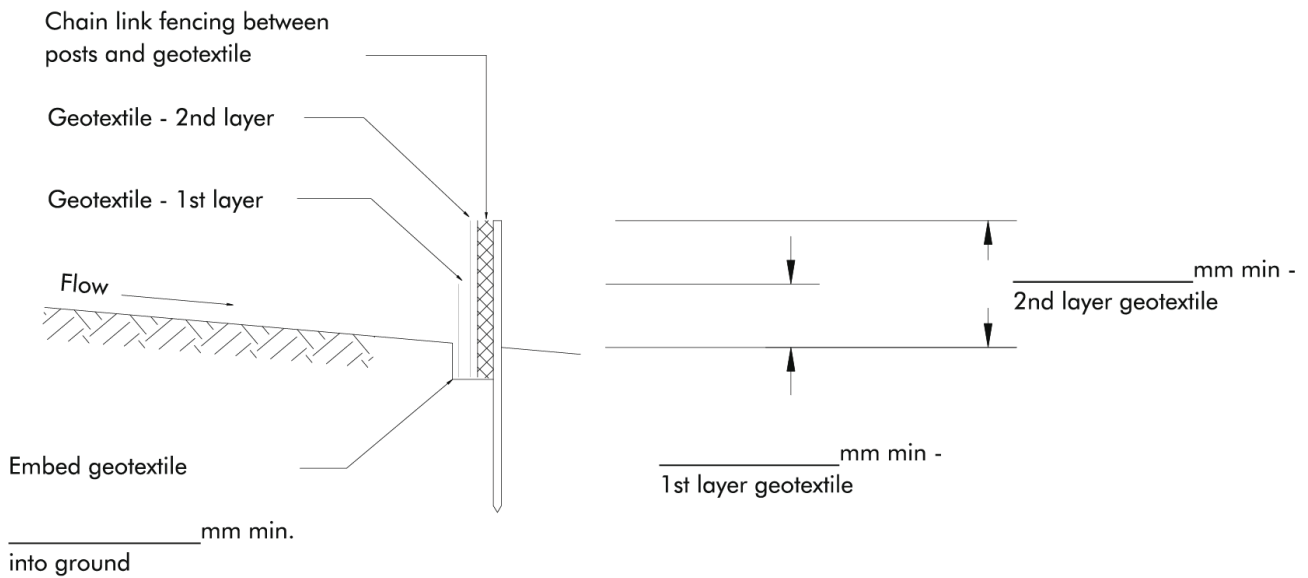


Example: Scaled drawing as-built super silt fence

Standard detail for Super silt fence



ELEVATION



CROSS SECTION

Note: Where the as-built information differs from the approved Erosion sediment control plan or Bay of Plenty Regional Council guidelines, data supporting its compliance is to be provided.

As-builts are not approved by Bay of Plenty Regional Council. Responsibility for construction of the structures and accuracy of the As-builts rests with the certifying agent. This list is not exhaustive and should only be used to highlight some of the key requirements.

